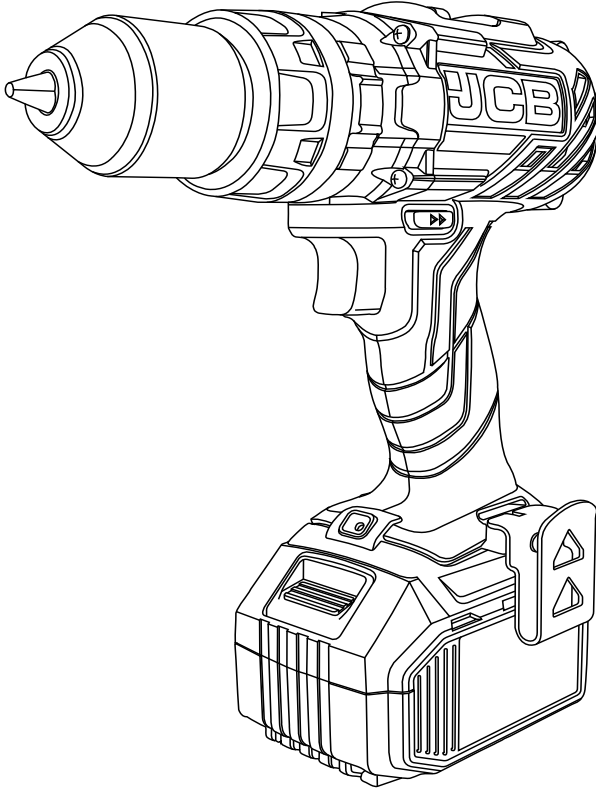




# POWER TOOL INSTRUCTION & USER MANUAL



## 21-18BLCD

Original Instructions



# GENERAL WARNINGS & DISPOSAL



To reduce the risk of injury, the user must read the instruction manual.



This symbol is used throughout this manual to warn the user about potential risks. Please read & understand these sections before using the device.



Personal Protective Equipment (P.P.E.), such as ear defenders, eye protection, safety gloves and a dust mask, must be worn during the operation of the device.



The device must not be exposed to rain or immersed in water.



Do not allow any part of the device to come into contact with flames, or to catch fire.



Do not expose battery pack or tool to fire or excessive temperatures.



Li

Do not dispose of batteries in household waste. Return exhausted batteries to a local collection or recycling point.



This product has been marked with a symbol relating to removing electric and electronic waste. The product should not be discarded with household waste but must be returned to a collection system which conforms to the EU Directive 2012/19/EU or the UK Waste Electrical and Electronic Equipment Regulations 2013. It will then be recycled or dismantled in order to reduce the impact on the environment. Electric and electronic equipment can be hazardous for the environment and for human health since they contain hazardous substances.

The month and year of manufacture can be found within the product serial number e.g. MMYPPPAXXXXX. Where production month (MM) and production year (YY) are included.

# Contents

GENERAL POWER TOOL SAFETY WARNINGS	4
1. Work area safety	4
2. Electrical safety	4
3. Personal safety	4
4. Power tool use and care	5
5. Battery tool use and care	5
6. Service	6
TOOL SPECIFIC SAFETY WARNINGS	7
Safety instructions for all operations	7
Safety instructions when using drill bits	7
Safety instructions when using hammer mode	7
CHARGER SAFETY	8
COMPONENT LIST	10
TOOL TECHNICAL DATA	11
BATTERY TECHNICAL DATA	11
CHARGER TECHNICAL DATA	11
NOISE INFORMATION	11
VIBRATION INFORMATION	12
OPERATING INSTRUCTIONS	13
Intended Use	13
Battery	13
Replacing Bits/Drills	14
Power Switch	14
Direction Selector	14
Torque Setting	15
Mode Selector	15
Speed Control	15
Maintenance	15
Transport and Storage	15
WARRANTY STATEMENT	17
Terms and Conditions	17
EU/UK DECLARATION OF CONFORMITY	19



# GENERAL POWER TOOL SAFETY WARNINGS

## **WARNING!**

**Read all safety warnings, instructions and specifications provided with this power tool.** Failure to follow all instructions listed below may result in electric shock, fire and/or serious injury. **Save all warnings and instructions for future reference.**

The term “power tool” in the warnings refers to your mains operated (corded) power tool or battery operated (cordless) power tool.

### 1. Work area safety

- > **Keep work area clean and well lit.**  
Cluttered or dark areas invite accidents.
- > **Do not operate power tools in explosive atmospheres, such as in the presence of flammable liquids, gases or dust.** Power tools create sparks which may ignite the dust or fumes.
- > **Keep children and bystanders away while operating a power tool.** Distractions can cause you to lose control.

### 2. Electrical safety

- > **Power tool plugs must match the outlet. Never modify the plug in any way. Do not use any adapter plugs with earthed (grounded) power tools.** Unmodified plugs and matching outlets will reduce risk of electric shock.
- > **Avoid body contact with earthed or grounded surfaces, such as pipes, radiators, ranges and refrigerators.** There is an increased risk of electric shock if your body is earthed or grounded.
- > **Do not expose power tools to rain or wet conditions.** Water entering a power tool will increase the risk of electric shock.

- > **Do not abuse the cord. Never use the cord for carrying, pulling or unplugging the power tool. Keep the cord away from heat, oil, sharp edges or moving parts.**  
Damaged or entangled cords increase the risk of electric shock.
- > **When operating a power tool outdoors, use an extension cord suitable for outdoor use.** Use of a cord suitable for outdoor use reduces the risk of electric shock.
- > **If operating a power tool in a damp location is unavoidable, use a residual current device (RCD) protected supply.**  
Use of an RCD reduces the risk of electric shock.

### 3. Personal safety

- > **Stay alert, watch what you are doing and use common sense when operating a power tool. Do not use a power tool while you are tired or under the influence of drugs, alcohol or medication.** A moment of inattention while operating power tools may result in serious personal injury.
- > **Use personal protective equipment. Always wear eye protection.** Protective equipment such as a dust mask, non-skid safety shoes, hard hat or hearing protection used for appropriate conditions will reduce personal injuries.
- > **Prevent unintentional starting. Ensure the switch is in the off position before connecting to power source and/or battery pack, picking up or carrying the tool.** Carrying power tools with your finger on the switch or energising power tools that have the switch on invites accidents.

- **Remove any adjusting key or wrench before turning the power tool on.** A wrench or a key left attached to a rotating part of the power tool may result in personal injury.
  - **Do not overreach. Keep proper footing and balance at all times.** This enables better control of the power tool in unexpected situations.
  - **Dress properly. Do not wear loose clothing or jewellery. Keep your hair and clothing away from moving parts.** Loose clothes, jewellery or long hair can be caught in moving parts.
  - **If devices are provided for the connection of dust extraction and collection facilities, ensure these are connected and properly used.** Use of dust collection can reduce dust-related hazards.
  - **Do not let familiarity gained from frequent use of tools allow you to become complacent and ignore tool safety principles.** A careless action can cause severe injury within a fraction of a second.
- 4. Power tool use and care**
- **Do not force the power tool. Use the correct power tool for your application.** The correct power tool will do the job better and safer at the rate for which it was designed.
  - **Do not use the power tool if the switch does not turn it on and off.** Any power tool that cannot be controlled with the switch is dangerous and must be repaired.
  - **Disconnect the plug from the power source and/or remove the battery pack, if detachable, from the power tool before making any adjustments, changing accessories, or storing power tools.** Such preventive safety measures reduce the risk of starting the power tool accidentally.
- **Store idle power tools out of the reach of children and do not allow persons unfamiliar with the power tool or these instructions to operate the power tool.** Power tools are dangerous in the hands of untrained users.
  - **Maintain power tools and accessories. Check for misalignment or binding of moving parts, breakage of parts and any other condition that may affect the power tool's operation. If damaged, have the power tool repaired before use.** Many accidents are caused by poorly maintained power tools.
  - **Keep cutting tools sharp and clean.** Properly maintained cutting tools with sharp cutting edges are less likely to bind and are easier to control.
  - **Use the power tool, accessories and tool bits etc. in accordance with these instructions, taking into account the working conditions and the work to be performed.** Use of the power tool for operations different from those intended could result in a hazardous situation.
  - **Keep handles and grasping surfaces dry, clean and free from oil and grease.** Slippery handles and grasping surfaces do not allow for safe handling and control of the tool in unexpected situations.
- 5. Battery tool use and care**
- **Recharge only with the charger specified by the manufacturer.** A charger that is suitable for one type of battery pack may create a risk of fire when used with another battery pack.
  - **Use power tools only with specifically designated battery packs.** Use of any other battery packs may create a risk of injury and fire.



- › **When the battery pack is not in use, keep it away from other metal objects, like paper clips, coins, keys, nails, screws or other small metal objects that can make a connection from one terminal to another.**

Shorting the battery terminals together may cause burns or a fire.

- › **Under abusive conditions, liquid may be ejected from the battery; avoid contact. If contact accidentally occurs, flush with water. If liquid contacts eyes, additionally seek medical help.**

Liquid ejected from the battery may cause irritation or burns.

- › **Do not use a battery pack or tool that is damaged or modified.** Damaged or modified batteries may exhibit unpredictable behaviour resulting in fire, an explosion or risk of injury.

- › **Do not expose a battery pack or tool to fire or excessive temperature.** Exposure to fire or temperature above 130 °C may cause explosion.

- › **Follow all charging instructions and do not charge the battery pack or tool outside the temperature range specified in the instructions.** Charging improperly or at temperatures outside the specified range may damage the battery and increase the risk of fire.

## 6. Service

- › **Have your power tool serviced by a qualified repair person using only identical replacement parts.** This will ensure that the safety of the power tool is maintained.
- › **Never service damaged battery packs.**

Service of battery packs should only be performed by the manufacturer or authorized service providers.

# TOOL SPECIFIC SAFETY WARNINGS

## 1. Safety instructions for all operations

- › **Wear ear protectors when impact drilling.** Exposure to noise can cause hearing loss.
- › **Use the auxiliary handle(s).** Loss of control can cause personal injury.
- › **Hold the power tool by insulated gripping surfaces, when performing an operation where the cutting accessory or may contact hidden wiring.** Cutting accessory contacting a "live" wire may make exposed metal parts of the power tool "live" and could give the operator an electric shock.

- › **Apply pressure only in direct line with the bit and do not apply excessive pressure.** Bits can bend causing breakage or loss of control, resulting in personal injury.

## 3. Safety instructions when using hammer mode

- › **Keep exposure to vibrations as short as possible. When carrying out work, always hold the hammer with both hands and ensure that you have a stable standing position.** Vibrations can injure the nerves in hands & arms.

## 2. Safety instructions when using long drill bits

- › **Never operate at higher speed than the maximum speed rating of the drill bit.** At higher speeds, the bit is likely to bend if allowed to rotate freely without contacting the workpiece, resulting in personal injury.
- › **Use a detector to locate lines in walls with concealed electric, water or gas lines. Avoid touching live components or conductors.** Inadvertant contact with hidden items may cause serious injury or damage to the tool.
- › **Always start drilling at low speed and with the bit tip in contact with the workpiece.** At higher speeds, the bit is likely to bend if allowed to rotate freely without contacting the workpiece, resulting in personal injury.



# CHARGER SAFETY

## WARNING!

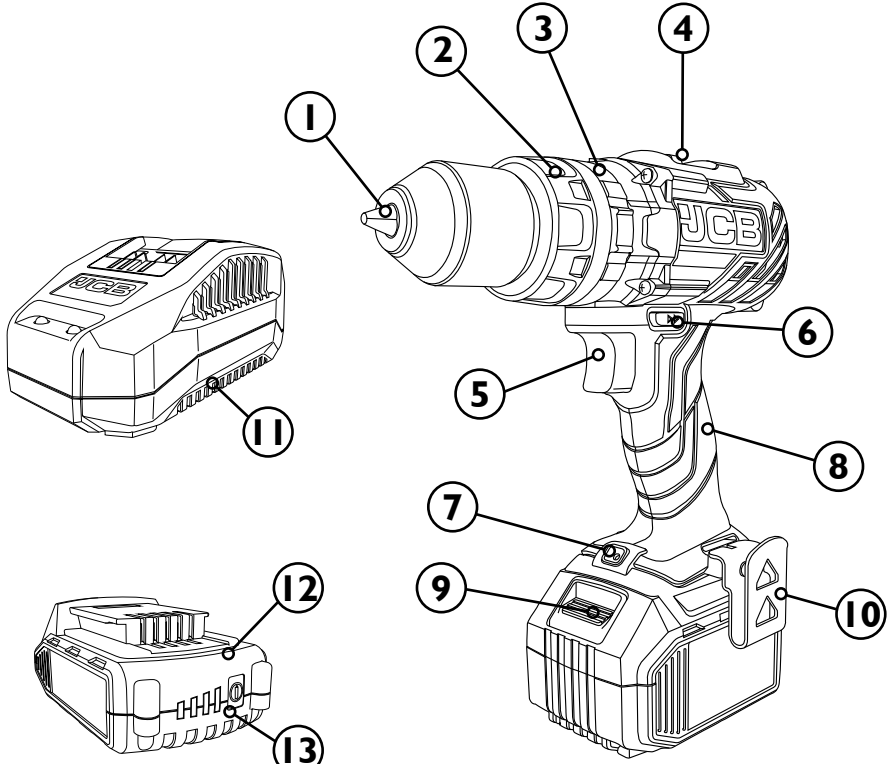
**Read all safety warnings, instructions and specifications provided with the charger.** Failure to follow all instructions listed below may result in electric shock, fire and/or serious injury. **Save all warnings and instructions for future reference.**

- > **To reduce risk of injury, only charge JCB rechargeable batteries.** The charger and battery packs are specifically designed to work together. Other types of batteries may burst causing fire and personal injury.
- > **Do not allow any liquid to get inside the charger.** Electric shock may result.
- > **Do not expose the charger to rain or snow.**
- > **Under certain conditions with the charger plugged into the power supply, the exposed charging contacts inside the charger can be shorted by foreign materials.** Foreign materials of a conductive nature such as, but not limited to, steel, wool, aluminium foil or any buildup of metallic particles should be kept away from charger cavities.
- > **Always unplug the charger from the power supply when there is no battery in the cavity.**
- > **Unplug the charger from the power supply before attempting to clean.**
- > **Do not operate the charger with a damaged cord or plug.** Have them replaced immediately.
- > **The charger is designed to operate on standard 230-240V AC household electrical power. Do not attempt to use it on any other voltage.**
- > **This appliance can be used by children aged from 8 years and above and persons with reduced physical, sensory or mental capabilities or lack of experience and knowledge if they have been given supervision or instruction concerning use of the appliance in a safe way and understand the hazards involved.**  
Children shall not play with the appliance. Cleaning and user maintenance shall not be made by children without supervision.
- > **If the supply cord is damaged, it must be replaced by the manufacturer, its service agent or similarly qualified persons in order to avoid a hazard.**





# COMPONENT LIST



Battery size shown for illustrative purposes only

- |   |  |
|---|--|
| <ul style="list-style-type: none"> <li>1. 13mm KEYLESS CHUCK</li> <li>2. TORQUE ADJUSTMENT RING</li> <li>3. MODE SELECTION RING</li> <li>4. GEARBOX SPEED SELECTOR SWITCH</li> <li>5. ON/OFF TRIGGER</li> <li>6. FORWARD/REVERSE SELECTOR SWITCH</li> <li>7. AUTOMATIC LED LIGHT</li> </ul> | <ul style="list-style-type: none"> <li>8. GRIP</li> <li>9. BATTERY RELEASE BUTTON</li> <li>10. BELT CLIP</li> <li>11. CHARGER*</li> <li>12. BATTERY PACK* - PLEASE REFER TO TABLE ON PAGE 11 FOR BATTERY INFORMATION</li> <li>13. BATTERY TEST BUTTON AND CHARGE INDICATOR*</li> </ul> |
|---|--|

\*If applicable

## TOOL TECHNICAL DATA

<b>Rated Voltage</b>		18V d.c.
<b>Rated No-Load Speed</b>		$n_0$ : 0-500/0-1800/min
<b>Clutch Positions</b>		20 + 3 Modes
<b>Hammer Impact Rate</b>		0-28800 bpm
<b>Max Torque</b>		65 Nm
<b>Chuck Capacity</b>		2mm - 13mm
<b>Max. Drilling Capacity <math>\varnothing</math></b>	<b>Wood</b>	35mm
	<b>Steel</b>	13mm
	<b>Masonry</b>	10mm
<b>Product Weight (Body only, w/o battery)</b>		1.35 kg

## LITHIUM ION BATTERY TECHNICAL DATA

Battery Code	Battery Size	Voltage	Battery Capacity	Charge Time (Fast Charger)	Charge Time (Super Fast Charger)	Charge Time (Dual Charger)
21-20LI	Small	18V	2.0Ah	45 mins	30 mins	35 mins
21-30LI	Large	18V	3.0Ah	65 mins	40 mins	45 mins
21-40LI	Large	18V	4.0Ah	90 mins	55 mins	60 mins
21-50LI	Large	18V	5.0Ah	110 mins	65 mins	75 mins

Times given as a guide only. Battery charge and discharge times dependant on age, usage and condition.

## CHARGER TECHNICAL DATA

Charger Code	Input Power	Output
21-18VFC	220-240V AC, 50-60Hz, 70W	14.4 - 18V d.c. 2.4A
21-18VSFC	220-240V AC, 50-60Hz, 105W	14.4 - 18V d.c. 4.0A
21-18VDC	100-240V AC, 50-60Hz, 200W	20.5V d.c. 2 x 3.5A

## NOISE INFORMATION

<b>A-Weighted Sound Pressure (LpA)</b>	<b>No Load</b>	72 dB(A)
	<b>Concrete Drilling</b>	75 dB(A)
<b>A-Weighted Sound Power (LwA)</b>	<b>No Load</b>	83 dB(A)
	<b>Concrete Drilling</b>	86 dB(A)
<b><math>K_{pA}</math> &amp; <math>K_{wA}</math></b>		5 dB(A)

**Wear ear protection when sound pressure is over 80 dB(A)**



# VIBRATION INFORMATION

**Vibration total values (triax vector sum) determined according to EN 62841-1 and EN 62841-2-1**

<b>Impact Drilling into Concrete</b>	<b>Vibration Emission Value (<math>a_{h,1D}</math>)</b>	6.3 ms <sup>-2</sup>
	<b>Uncertainty (K)</b>	1.5 ms <sup>-2</sup>
<b>Drilling into Metal</b>	<b>Vibration Emission Value (<math>a_{h,1D}</math>)</b>	4.0 ms <sup>-2</sup>
	<b>Uncertainty (K)</b>	1.5 ms <sup>-2</sup>

## **WARNING!**

The vibration emission value of the power tool is tested under EN 62841-1 and EN 62841-2-1, and can vary during operation depending on the following usage conditions:

- How the tool is used and the materials being cut or drilled.
- The tool being in good condition and well maintained.
- Using the correct accessory for the tool and ensuring it is sharp and in good condition.
- The tightness of the grip on the handles and if any anti-vibration accessories are used.
- The tool being used as intended by its design and these instructions.
- The declared vibration total value may also be used in a preliminary assessment of exposure.

**THIS TOOL MAY CAUSE HAND-ARM VIBRATION SYNDROME IF USAGE IS NOT ADEQUATELY MANAGED.**

## **WARNING!**

To be accurate, an estimation of exposure level in the actual conditions of use should also take account of all parts of the operating cycle. These include times when the tool is switched off and when it is running idle but not actually doing work. This may significantly reduce the total exposure level over the working period, helping to minimize your vibration exposure risk.

- ALWAYS use sharp and undamaged bits, chisels, drills and blades.
- Maintain this tool in accordance with these instructions and keep well lubricated (where appropriate).
- If the tool is to be used regularly then invest in anti-vibration accessories.
- Avoid using tools in temperatures of 10°C or less.
- Plan your work schedule to spread any high vibration tool use across a number of days.



# OPERATING INSTRUCTIONS

## Intended Use

This combi drill driver is intended for drilling and screwing/unscrewing screws in masonry, wood, plastic and metal.

The tool must not be modified or used for any other purposes than the ones described in these instructions.

## Battery

### NOTE

Make sure the power switch is not pressed in when inserting or replacing the battery. Use with JCB batteries only: 21-20LI, 21-30LI, 21-40LI, 21-50LI.

- **Do not force the battery when connecting it, use moderate pressure.**

An incorrectly connected battery can damage the battery terminals or the battery socket on the tool.

- Use the button on the battery to check the charging status; 4 red LEDs indicates fully charged, where 1 indicates low battery status.

## Charging The Battery








### WARNING!

After charging for the first time, ensure the battery is completely discharged before placing on charge again. Repeat this charging and discharging cycle 4 to 5 times to ensure battery is correctly conditioned.

- Place the battery charger on a level and stable surface. Plug the charger into a suitable power point.

- Connect the battery to the charger so that it clicks into place.
- Refer to the Battery Charge Level table below for battery charger status as indicated by LED lights.
- Unplug the charger from the power point and remove the battery from the charger.

## Battery Charge Level

Red LED	Green LED	Battery Charge Status
		Charger is connected to mains power
		Connected battery is charging
		Connected battery is fully charged
		Connected battery has a charging fault
		Charger is outside correct operating temperature range (<0°C / >40°C)

If the LEDs on the charger do not come on when charging:

- Check that the charger's mains plug is properly plugged into the power point and that the charger is switched on
- Check that the battery is correctly inserted in the charger

## Connecting the battery

- Connect the battery to the battery socket on the tool so that it clicks into place.

## Removing the battery

- Press the battery release button and remove the battery from the tool.



## Replacing Bits/Drills

### **WARNING!**

Never hold the chuck sleeve in one hand and run the tool to tighten or release accessories. This risks serious personal injury.

### **WARNING!**

Tool accessories can be very sharp and can become very hot during use.

### **WARNING!**

High torque tool, use with care.

- Place the tool on a stable surface, for example a work bench.
- Open the chuck by holding the chuck sleeve in a firm grip and turning it anticlockwise until the chuck jaws open and the accessory can be inserted. The chuck is designed so that it can easily be tightened or released with one hand.

### **NOTE**

The spindle locks automatically when the chuck stops rotating.

- Insert the accessory as far as it will go into the chuck. Point the tool up slightly so that the accessory does not fall out.
- Tighten the chuck sleeve clockwise so that the accessory is gripped firmly by the chuck jaws.

### **NOTE**

Check that the accessory is straight, centred and not askew. If the accessory is not properly positioned it could fly out when starting the tool. Check that the chuck jaws rest on the flat surfaces of the accessory.

- Tighten the chuck until it grips the accessory. Grip the chuck firmly and turn it clockwise.

## Power Switch

- Press the power switch to start the tool. The tool has variable speed:
- Press the power switch to increase the speed.
- Release it slightly reduce the speed.
- Release the power switch to stop the tool.

## Direction Selector

### **WARNING!**

Only use the direction selector when the tool is stopped and the chuck is not rotating. Otherwise the tool can be damaged.

- Use the direction selector to switch between clockwise rotation and anticlockwise rotation.
- When the direction selector is in the middle position the power switch is locked and cannot be pressed.
- **Always put the direction selector in the middle position before putting the tool down.** This reduces the risk of accidentally starting it.
- Press in the direction selector with the arrow pointing to the chuck for rotation to the right/screwing/drilling.
- Press in the direction selector with the arrow pointing away from the chuck for rotation to the left/unscrewing.

## Torque Setting

### WARNING!

Only use the torque setting ring when the tool is stopped and the chuck is not rotating. Otherwise the tool can be damaged.

- Before you start working you should test your selection to find a suitable torque setting on a sample of the same material as the work piece.
- The lowest torque is with the arrow pointing to 1. Higher numbers mean higher torque.
- To use the highest torque the tool can produce, set the mode selector to the drill symbol. In this mode the torque inhibitor is not activated.
- For driving screws, especially in wood, a low torque should be selected to reduce the risk of damaging the screw head, thread or work piece.
- A high torque setting is best for drilling.

## Mode Selector

### Drilling Mode

### WARNING!

Use the correct specification of drill bit for the material and power tool you are working with. Incorrect selection may cause damage to the tool, workpiece or bit.

#### NOTE

Check that the drill is correctly inserted and the chuck is properly tightened before starting the tool.

- If loose, clamp the work piece. The work piece should lie flat on a workbench, and/or be securely fixed.
- Mark out the position of the hole by suitable means.
- Use a suitable drill for your material.
- Ensure all drills are sharp.
- When drilling in metal, make sure that the drill is always sufficiently cooled with a non-flammable liquid.
- Start drilling at low speed.
- If you are drilling large holes, pre drill with a small drill and then finish off with a large drill.
- Do not force the tool - do not press too hard on the drill.

#### NOTE

The drill can jam in deep holes. Release the power switch immediately if the drill jams. Switch to anticlockwise rotation and run the drill loose at low speed.

## Hammer Drilling Mode

- Set the selector ring in hammer mode to connect the hammer function. The hammer function allows more effective drilling into hard, brittle materials such as concrete, brick and stone.

## Screw Driving Mode

#### NOTE

Check that the bit is correctly inserted and the chuck is properly tightened before starting the tool.

- **Do not over-tighten screws.** This risks damaging the screw head or thread.

To tighten screws:

- Set the rotation selector to clockwise rotation.
- Place the bit into the screw head in line with the screw. Otherwise the screw can be damaged.
- Press the bit firmly against the screw and drive in the screw.
- Once the screw is sufficiently tightened, release the power switch **before** you stop pressing in the screw, otherwise you can damage the screw or screw head. The bit or tool can be damaged if you do not release the power switch immediately.

To unscrew/loosen screws:

- Set the rotation selector to anticlockwise rotation.
- Place the bit into the screw head in line with the screw. Otherwise the screw can be damaged.
- Press the bit firmly against the screw and loosen the screw.

## Speed Control

### **WARNING!**

Only use the speed control switch when the tool is stopped and the chuck is not rotating. Otherwise the tool can be damaged.

- Move the speed control switch away from the chuck to position 1 for low speed (0 to 500rpm).
- Use the low speed mode for screw driving and for drilling holes with a large diameter.
- Move the speed control forwards towards the chuck to position 2 for high speed (0 to 1800 rpm).
- Use the high speed mode for drilling small holes.

## Maintenance

### **WARNING!**

Switch off the tool and disconnect the power (remove battery/unplug) before cleaning and maintenance. This helps avoid the risk of electric shocks and accidental starting.

- Wipe the tool with a dry or damp cloth.  
**Do not use a wet cloth. Do not use detergent that contains solvent or corrosive, abrasive additives.** This risks damaging the surfaces of the tool.
- Clear the tool vents and the accessory mount of dust and dirt after each use.  
**Do not clean ventilation holes by inserting sharp objects in them, such as screwdrivers and other similar objects.**
- Stubborn contamination in areas hard to access can be removed with compressed air (max 3. bar).
- Regularly check all fasteners, screws and bolts to make sure that they are tight. Tighten any loose screws immediately or serious injury could occur.

### **WARNING!**

Never open the tool. The tool has no internal parts that the user can service or repair. Never try to repair the tool yourself. Take to an authorised service centre.

## Transport and Storage

- If the tool will remain unused for any length of time, it should be stored in the original packaging.
- Store the tool and battery in a dry, frost-free, well ventilated place.



- › Keep all tools out of the reach of children.
- › Always switch off the tool and disconnect it from the power supply (remove the battery/ unplug the power cord) before transport.
- › Always carry the tool using the purpose-designed handle.
- › Ensure that the tool is not at risk of tipping over or exposed to excessive vibration and shocks during transport, especially if the tool will be transported by car or other vehicle.

**NOTE**

Operating temperature: 0-40 °C

Storage temperature: 20-60 °C



## WARRANTY STATEMENT

**JCB Power Tools are guaranteed against manufacturing defects for up to 3 years from date of purchase by simply registering your product online within 30 days. Proof of purchase required. This does not affect your statutory rights.**

**To register your JCB Power Tool, please visit: [jcb-tools.com](http://jcb-tools.com)**

Online registration is required within 30 days to receive a warranty certificate to activate your standard 3 year warranty. Registration is only available online via [www.jcb-tools.com](http://www.jcb-tools.com). You will need your original sales receipt, the model number and the serial number (if applicable) of your product. Kits comprising of two or more tools are excluded from single registration and must be registered individually for full warranty cover.

Upon successful registration, a warranty certificate will be available to download, print or save as a PDF document. The relevant warranty certificate together with the original sales receipt will be required in the event of any claim within the warranty period.

Should you choose not to register your product within 30 days of purchase, your statutory consumer rights will not be affected. You will need the original sales receipt as proof of purchase in the event of a warranty claim.

Warranty cover commences from the date of purchase on the retail sales receipt and is valid only for JCB Tools products purchased within the UK bearing the CE and UKCA mark and a visible serial number.

In the unlikely event your JCB Power Tool is subject to a manufacturing fault within the warranty period, JCB Tools may repair the product by replacing defective parts free of charge at our discretion. In the event parts are irreplaceable JCB Tools may replace your product free of charge. The original product will remain the property of JCB Tools in this situation.

**The above repair or replacement of products will be undertaken providing that:**

- The product has been subject to fair wear and tear only.
- The product has not been subject to accidental or cosmetic damage.

- The product has not been misused and has been used only in accordance with the instruction manual provided.
- The product has not been subject to overload or insufficient servicing and maintenance.
- The product has not been subject to any abnormal environmental conditions or inappropriate operating conditions.
- Repairs have not been attempted by an unauthorised person and no modifications have been made to the product.
- Repairs have not been undertaken using non-genuine spare parts.

JCB Power Tools used for Hire Fleets or as part of B2B and Service Contracts are not covered by these terms and conditions.

**JCB Tools 3 Year Warranty excludes the following (where applicable):**

- Components normally subject to wear such as carbon brushes.
- Batteries, Chucks and Chargers.
- Accessories and consumable items.
- Cases and tool storage products.

If your product develops a fault within 30 days of purchase, return it to the retailer where it was purchased together with your sales receipt. If a product develops a fault after 30 days a warranty claim must be submitted.

If you have a warranty claim please take your product, original sales receipt and if applicable, a copy of your extended warranty certificate to your place of purchase or nearest JCB Tools retailer.

If you wish to send your product to us directly, please send to JCB Tools, Unit 55, Romsey Industrial Estate, Greatbridge Road, Romsey, Hampshire, SO51 0HR, along with your original receipt and, if applicable, a copy of your extended warranty certificate. Delivery and repair charges may apply at our discretion should the warranty claim be invalid for any of the reasons illustrated above. In the event charges are not accepted the product will be retained by JCB Tools and remain the property of JCB Tools.

The information on both your sales receipt and your extended warranty certificate must match.

JCB TOOLS WILL NOT BE LIABLE FOR ANY INJURIES OR CONSEQUENTIAL DAMAGES RESULTING FROM USE OF THIS PRODUCT.



EU DECLARATION OF CONFORMITY				UK DECLARATION OF CONFORMITY
1.	<b>PRODUCT(S) COVERED BY THIS DECLARATION:</b>	Product: UK Product Code No. EU Product Code No. Factory Reference No.	JCB 18V Brushless Cordless Combi drill JCB-18BLCD-B, 21-18BLCD JCB-18BLCD-B-E BLMD-231JST	Batch Number: P.O.
2.	<b>IDENTIFICATION DETAILS OF MANUFACTURER:</b>	Name: Address: Country:	Yellow and Black Tools Ltd. (T/A: JCB Tools) Unit 55 Romsey Industrial Estate, Greatbridge Road Romsey, Hampshire SO51 0HR UK	
	<b>AUTHORISED REPRESENTATIVE:</b>	Name: Address: Country:	Authorised Representative Service 77 Camden Street Lower Dublin DO2 XE80 Ireland	
<b>THIS DECLARATION OF CONFORMITY IS ISSUED UNDER THE SOLE RESPONSIBILITY OF THE MANUFACTURER</b>				
4.	<b>OBJECT OF THE DECLARATION:</b>	Product:  Function:	18V Brushless Cordless Combi Drill  Drilling, Hammer Drilling and Torque Screwing	
5i.	<b>THE OBJECT OF THE DECLARATION DESCRIBED IN POINT 4 IS IN CONFORMITY WITH THE RELEVANT UNION HARMONISATION LEGISLATION:</b>	2006/42/EC	The Machinery Directive	
		2014/30/EU	The Electromagnetic Compatibility Directive	
		2011/65/EU	The Restriction of Hazardous Substances Directive	
5ii.	<b>THE OBJECT OF THE DECLARATION DESCRIBED IN POINT 4 IS IN CONFORMITY WITH THE RELEVANT UK STATUTORY INSTRUMENTS:</b>	2008 No. 1597	The Supply of Machinery (Safety) Regulations 2008	
		2016 No. 1091	The Electromagnetic Compatibility Regulations 2016	
		2012 No. 3032	The Restriction of the Use of Certain Hazardous Substances in Electrical and Electronic Equipment Regulations 2012	
6.	<b>REFERENCES TO THE RELEVANT HARMONISED SAFETY STANDARDS USED OR REFERENCES TO THE OTHER TECHNICAL SPECIFICATIONS IN RELATION TO WHICH CONFORMITY IS DECLARED:</b>	EN 62841-1:2015 EN 62841-2-1:2018 EN 55014-1:2006+A1+A2 EN 55014-2:2015 IEC 62471:2006	Electric motor-operated hand-held tools, transportable tools and lawn and garden machinery. Safety. General requirements Electric motor-operated hand-held tools, transportable tools and lawn and garden machinery. Safety. Particular requirements for hand-held drills and impact drills Electromagnetic compatibility. Requirements for household appliances, electric tools and similar apparatus. Emission Electromagnetic compatibility. Requirements for household appliances, electric tools and similar apparatus. Immunity. Photobiological safety of lamps and lamp systems	
7.	<b>ADDITIONAL INFORMATION. THE TECHNICAL DOCUMENTATION FOR THE MACHINERY IS AVAILABLE FROM:</b>	Name: Address: Country:	Authorised Representative Service 77 Camden Street Lower Dublin DO2 XE80 Ireland	
<b>SIGNED FOR AND ON BEHALF OF:</b> PLACE OF ISSUE: DATE OF ISSUE (DD/MM/YYYY): NAME: FUNCTION: SIGNATURE:		<b>YELLOW AND BLACK TOOLS LTD.</b> <b>ROMSEY, UK.</b> <b>19/04/2021</b> <b>TIM BURGOYNE</b> <b>QA MANAGER</b> 		